



# GRAPHITE IMPREGNATED BUSHINGS

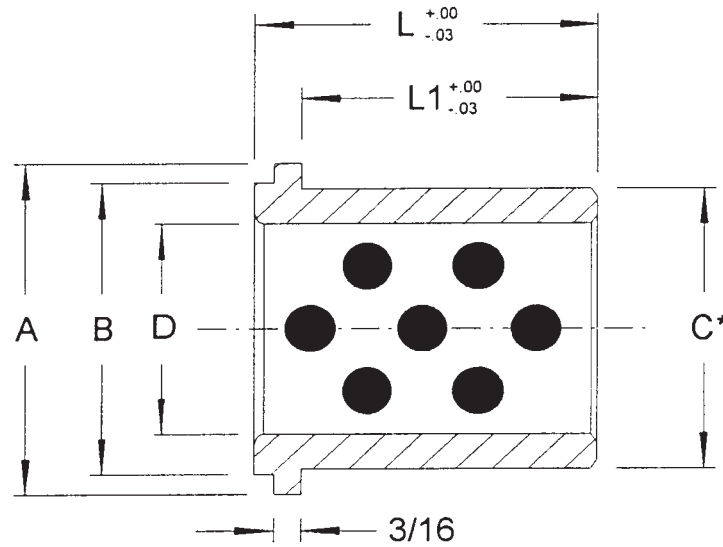


NOTE: MDL Self Lubricating Bushings, (Graphite Impregnated Bronze Alloy Bushings), are interchangeable with self lubricating bushings from Danly IEM\* and are designed to be used with Plain Bearing Guide Pins from either MDL or Danly IEM\*.

\*Danly IEM is a registered trademark of Danly IEM L.L.C.  
MDL Mold & Die Components, Inc. is not connected, in any way, to Danly IEM, or Danly IEM L.L.C.

Graphite  
Impregnated Bushings

# Inch Guide Pin Bushings



Material: Aluminum Bronze Alloy  
 Supplied with (3) toe clamps and screws.  
 O.D. Finished to nominal +.0000/-0.0005

Catalog Number	Nominal I.D.	D	A	B	C	L	L1	Mount. Screw	Bolt Circle
G65.008.015	1	1.0006	1.75	1.56	1.500	1.875	1.375	1/4-20	2.125
G65.008.023		1.0010				2.875	2.375		
G65.010.019	1 1/4	1.2506	2.12	1.94	1.750	2.375	1.875	5/16-18	2.625
G65.010.027		1.2510				3.375	2.875		
G65.012.019	1 1/2	1.5006	2.38	2.18	2.000	2.375	1.875	5/16-18	2.875
G65.012.027		1.5010				3.375	2.875		
G65.014.023	1 3/4	1.7507	2.62	2.44	2.250	2.875	2.375	5/16-18	3.156
G65.014.031		1.7512				3.875	3.375		
G65.016.023	2	2.0007	2.94	2.75	2.500	2.875	2.375	5/16-18	3.469
G65.016.031		2.0012				3.875	3.375		
G65.020.024	2 1/2	2.5012	3.38	3.18	3.000	3.000	2.625	5/16-18	3.906
G65.020.032		2.5018				4.000	3.625		
G65.020.040		5.000				4.625			
G65.024.024	3	3.0014	3.88	3.68	3.500	3.000	2.625	5/16-18	4.406
G65.024.032		3.0023				4.000	3.625		
G65.024.040		5.000				4.625			
G65.024.048		6.000				5.625			

06/11 Pentzer